

Control cabinet heater

- An efficient solution for heating switchboard cabinets
- Low temperature protection
- Prevention of condensate formation
- Longer service life of electrical equipment

- High reliability
- Heating power control based on inputs from ambient sensors
- Mounting on a DIN-rail

1. Aluminum radiator
2. Heating element
3. Crossbeam
4. Screw
5. DIN-rail fastener
6. Installation wire
7. Thermal fuse
8. Bimetallic thermostat



Purpose

Anticondensation heating and maintaining a positive temperature inside the cabinet.

Applications

Control cabinet heater (NShU) is intended for improving the reliability of the control equipment in the winter months and for extending its service life.

The heating element is made of a special heat-conducting material. This ensures high heat transfer, significantly reduces weight, improves the electric strength and tightness of the heater.

Radiated heat is evenly distributed over a large surface via the finned metal body of the heater.

The materials used ensure high resistance of the heater to both negative and high positive temperatures.

The installation of the heater is simple and takes little time. Fasteners allow to quickly install the heater inside the cabinet.

Reliability

The heating element is protected by a metal shell on both sides. This provides mechanical protection against damage.

The power cable is of a silicon wire that is resistant to overheating.

Heater materials have high electrical strength and insulation resistance for high reliability.

All heaters are factory tested.

To control the temperature inside the cabinet, the heating system is recommended to be combined with the PT-300 temperature controller, thermostat or hygostat.

Technical data

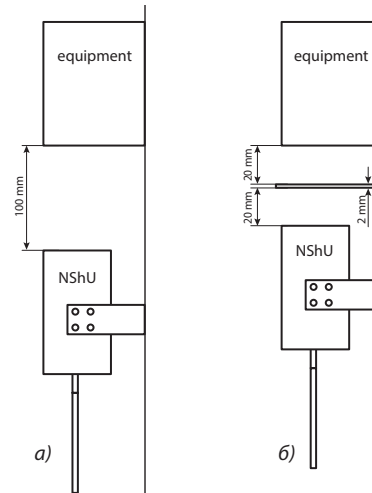
Specifications	NShU-150A	NShU-200A	NShU-300A
	Dimensions, mm	240x170x50	180x125x80
Supply voltage at a frequency of 50 Hz, V	220 ± 10%		
Rated power ^o , W	150	200	300
Maximum permissible temperature of the heater surface, °C	125		
Maximum permissible air temperature when the heater is on, °C	+20		
Minimum permissible air temperature when the heater is on, °C	-50		
Installation wire length, m	min 1,5		
Class of electric shock protection (GOST R 52161.1-2004)	I		
Protection type	IP44		
Weight, kg	2.00	1.85	3.40

^o Permissible deviation from rated power: +5%; -10%. Rated power is specified at an ambient temperature of +25 °C.

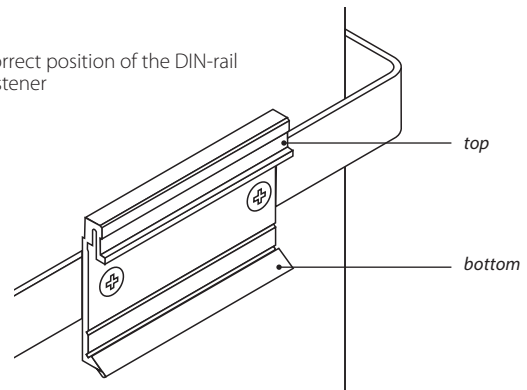
Installation

Installation options:

- a) without a heat reflective screen;
- b) with a heat reflective screen.



Correct position of the DIN-rail fastener



Delivery kit

	NShU-150A	NShU-200A	NShU-300A
Datasheet combined with installation and operation manual	1	1	1
Heater	1	1	1
Unit package	1	1	1
Crossbar for attachment to a DIN-rail	1	1	1
Screw M3	4	8	8
Washer GOST 6402-70	4	8	8
Washer GOST 10450-78	4	8	8

Approvals

№ RU Д-РУ.АБ37.В.11481



Ordering information

Example: Control cabinet heater
NShU-150A

① ②

- 1. Control cabinet heater
- 2. Heater power, W