

# Junction Boxes for Connection of Mineral-Insulated Heating Cables

Junction boxes for connecting of heating cables with mineral insulation are designed in 3 enclosure dimensions and intended for loop, star and delta connection. The box can be mounted onto a wall, onto a nearby metal structure or using a bracket directly onto the pipeline. The choice of the mounting option also depends on the temperature of the heated system (pipeline). At a pipeline temperature of over 200 °C, it is recommended to mount the box on a wall or on an adjacent metal structure. The box allows to connect one section of the heating cable.

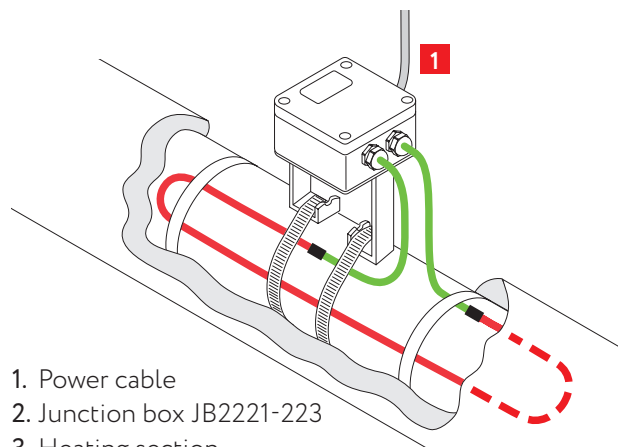
The enclosure design ensures moisture and dust ingress protection IP66 and high corrosion stability. Cable glands of the box are intended for connecting unarmored power cables with a diameter of 7 to 18 mm or armored power cables with a diameter of 12 to 20 mm.

Installed terminal blocks allow the connection of multi-core or single-core wires with a cross-section of 1.5 to 10 mm<sup>2</sup> (JB2221-223 models) or up to 16 mm<sup>2</sup> (JB2221-333, JB2221-533 models). Design options with screw or push-in terminals are available to order.

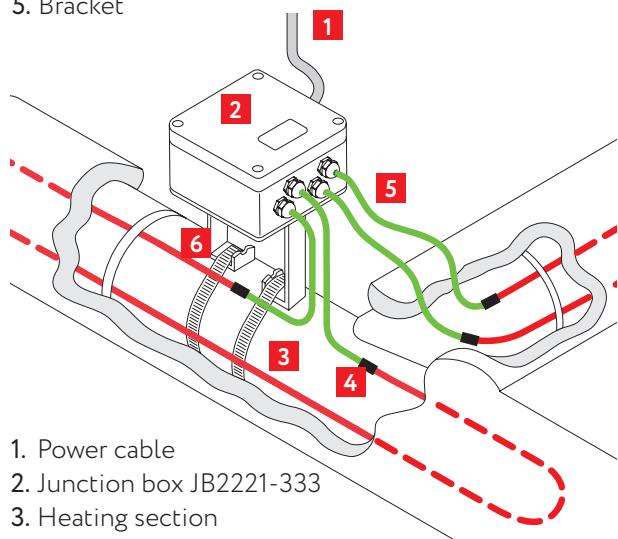
## Features and Application Areas

- Efficient solution for power supply to cables with mineral insulation
- Approved for installation in explosion hazard areas
- Necessary component parts included in the scope of supply
- Flexible sealed gland FSG to be ordered separately

- Designed for loop, star and delta connection
- Wide application range
- Quick and easy installation
- High thermal stability
- Non-corrosive



1. Power cable
2. Junction box JB2221-223
3. Heating section
4. Coupling
5. Bracket



1. Power cable
2. Junction box JB2221-333
3. Heating section
4. Coupling
5. Installation wire
6. Bracket

° This junction box is compatible with heating cables MOIC-F, MOIC-M.

# Power Supply Heating Sections Based on Cables with Mineral Insulation

## Technical Data

Dust and moisture protection rating	IP66	
Explosion protection marking	Ex eb IIC T6...T3 Gb Ex tb IIIC T85°C... T165°C Db	
Temperature group of the explosion hazard area	T6	
Operating ambient temperature range	-60...+55 °C	
Operating voltage	JB2221-223	max 550 V
	JB2221-333, JB2221-533	max 750 V
Operating current	JB2221-223	max 50 A
	JB2221-333, JB2221-533	max 66 A
Enclosure dimensions	JB2221-223	122×120×91.5 mm
	JB2221-333	160×160×94.5 mm
	JB2221-533	260×160×90 mm
Total weight (maximum)	JB2221-223	1.26 kg
	JB2221-333	1.95 kg
	JB2221-533	2.10 kg
Material Box / Color	Glass fiber reinforced polyester / Black	
Material Pipe installation support / Color	polyester / Black	

## Accessories (to be ordered separately)

Brackets PB, KP, PL.JB0606 – for mounting the box onto the pipeline.

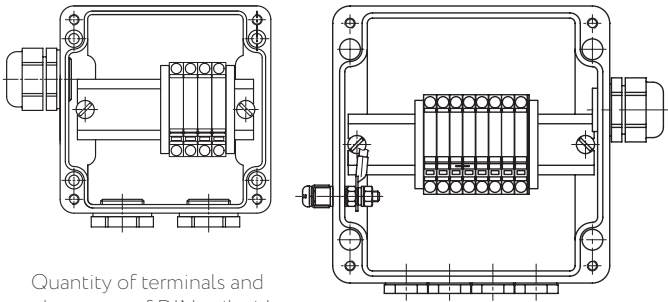
Z-profile – for mounting the box onto a metal structure or onto a wall.

Metal pipe strap PFS/3 – for mounting the pipe support stand or bracket onto the pipeline.

Flexible sealed gland FSG – for mechanical protection of cables in open space sets.

Cable entry unit LEK/U – for penetrating of thermal insulation.

## Construction



Quantity of terminals and placement of DIN-rail with terminal block could differ from drawings.

## Approvals



Nº IECEx CCVE 18.0006X



\* Certification is underway

## Delivery Set

Model	Cable glands and plugs (P=plastic; B=brass)								Earthing tag	Terminated earthing wire	Pipe installation support	Terminal block	Type of terminals	Order code
	Side A		Side B		Side C		Side D							
	Cable gland	Screw plug	Cable gland	Screw plug	Cable gland	Screw plug	Cable gland	Screw plug						
JB2221-223-2X25*				2xM20 P			1xM25 B		V	V		1L,1N,2PE	screw/ push-in	3210002450
JB2221-223-2X26				2xM20 P			2xM25 P		V	V				3210002451
JB2221-333-2X24				4xM20 P				1xM25 P	V	V		2L,1N,2PE/ 3L,2N,3PE	screw/ push-in	3210002452
JB2221-333-2X25				4xM20 P			1xM25 B		V	V				3210002453
JB2221-333-2X26				4xM20 P					V	V		1L,1N,2PE	screw/ push-in	3210002454
JB2221-223-2X390				2xM20 P	1xM25 P									3210001617
JB2221-333-2X390				3xM20 P	1xM25 P							3L,3N,2PE		3210001621
JB2221-533-2X140				6xM20 P	1xM25 P							7L,6PE		3210001625

Order codes are valid for junction boxes with push-in terminal block. Additional junction box configurations are available upon request.

\* X = 1 for screw type terminal block; X=2 for push-in type terminal block