

Junction Box for Self-Regulating Heating Cables to Power Connection with Pipe Installation Support

Junction box for self-regulating heating cables is designed for connection of self-regulating heating cables to power network. The junction box is equipped with a pipe installation support stand UVK which allows fixation of the junction box directly onto the pipeline. The junction box is used as part of cable heat trace systems for pipelines and vessels in non-hazardous areas. The junction box design ensures

moisture and dust ingress protection IP66 and high corrosion stability. The junction box is available with cable glands for connection of unarmored power cables. The installed terminal blocks ensure fast and safe connection of multi-core or single-core conductors. Our boxes are available with screw clamp terminals as well as with push-in terminals.

Features

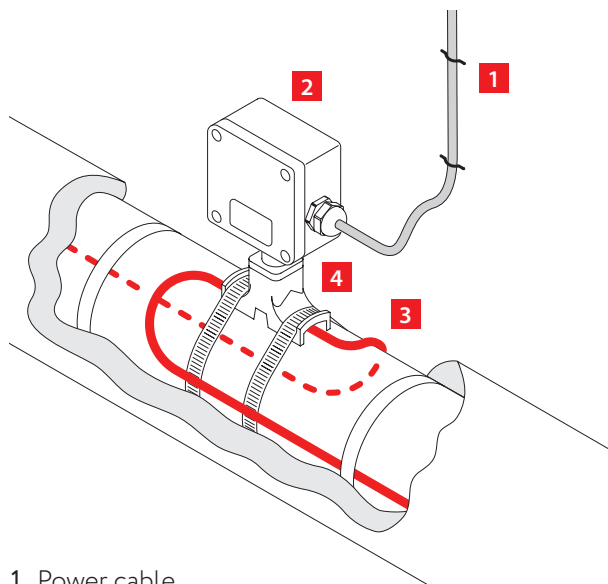
- Non-hazardous approved solution
- Perfect solution for installation of self-regulating heating cables through thermal insulation
- Excludes the risk of damage to heating cables
- All required component parts are included
- Quick and easy installation
- High thermal stability
- Non-corrosive

Application Areas

- Temperature maintenance or freeze protection of pipelines and vessels in non-hazardous areas



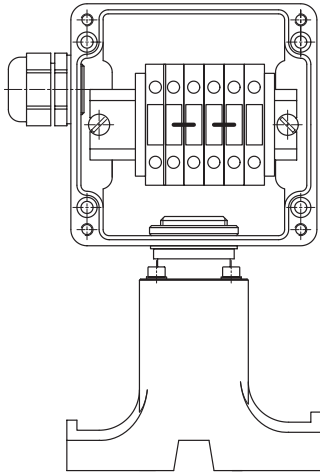
JB2212-223-1xxxx



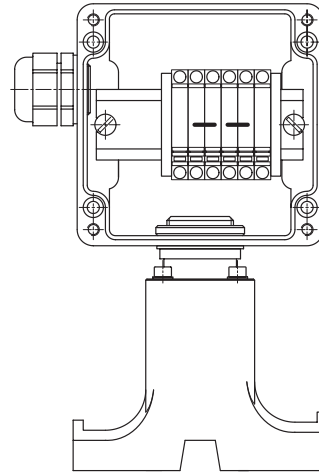
1. Power cable
2. JB2212-223-1xxxx junction box
3. Heating cable
4. Pipe support stand UVK

Junction Boxes

Construction



JB2212-223-1xxxx box with screw clamp terminal block



JB2212-223-1xxxx box with push-in terminals block

Technical Data

Degree of protection	IP66
Ambient temperature range	-55...+55 °C
Operating voltage	max. 750 V
Operating current	max. 32 A
Enclosure dimensions	122×120×90 mm
Total weight (maximum)	1.35 kg
Material box	Glass fiber reinforced polyester
Color	Grey
Pipe installation support material	Glass fiber reinforced polyester
Color	Black

Approvals



° Certification is underway

Types

Name	Order code
JB2212-223-11310	2210001610
JB2212-223-12310	2210001611
JB2212-223-11300	2210001608
JB2212-223-12300	2210001609

Application Types

Application	Terminals	Name
Heating cable branching*	screw, 2L, 2N, 2PE	JB2212-223-11310
	push-in, 2L, 2N, 2PE	JB2212-223-12310
Power connection*	screw, 2L, 2N, 2PE	JB2212-223-11300
	push-in, 2L, 2N, 2PE	JB2212-223-12300

° All junction boxes for power connection are equipped with a cable gland M25×1,5 for the power cable and terminal jumpers L-L, N-N

Accessories (to be ordered separately)

Metal pipe strap PFS/3 – for mounting the box onto the pipeline.

The heating cable termination kit is specified depending on the type of cable used. For ordering information see CLASSIC-CON units.

Flexible sealed gland FSG – for mechanical protection of cables in open space sets.