

Junction Boxes for Series-Resistance Heating Cables Connection

Junction boxes are designed for connecting of series-resistance heating cables, such as SNF*, to power network.

Boxes' models are supplied in 2 installation variants:

- complete with a pipe installation support stand UVK for direct mounting onto the surface of a pipeline or tank;
- for installation onto a wall, onto a nearby metal structure or using a bracket directly onto the pipeline (brackets supplied separately).

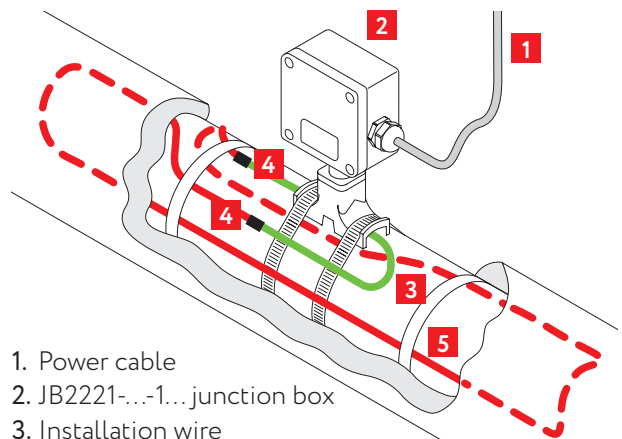
The enclosure design ensures moisture and dust ingress protection IP66 and high corrosion stability. Cable glands of the box are intended for connecting unarmored power cables with a diameter of 7 to 18 mm or armored power cables with a diameter of 12 to 20 mm.

The installed terminal blocks allow the connection of multi-core or single-core wires with a cross-section of 1.5 to 10 mm² (JB2221-223 models) or up to 16 mm² (JB2221-333, JB2221-533 models). Design options with screw or push-in terminals are available to order.

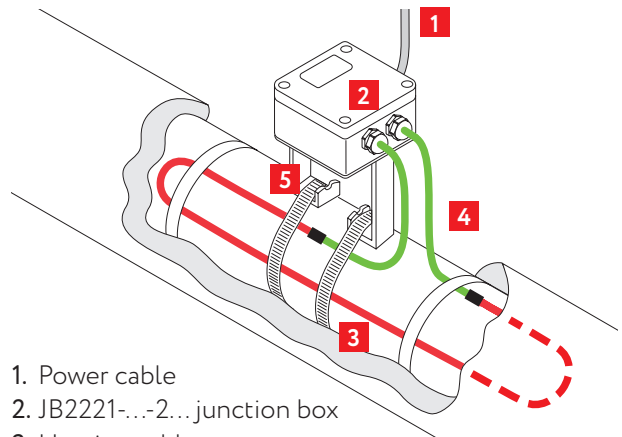
Features and Application Areas

- Efficient solution for power supply and input of SNF series-resistance heating cables
- Designed for loop, star and delta connection
- Excludes the risk of damage to heating cables at connection points
- Critical component parts are included in the scope of supply. Metal pipe strap PFS/3, cable entry unit and flexible sealed gland FSG to be ordered separately

- Approved for installation in explosion hazard areas
- Wide application range
- Quick and easy installation
- High thermal stability
- Non-corrosive



1. Power cable
2. JB2221-...-1... junction box
3. Installation wire
4. Connector SNF MF
5. Heating cable



1. Power cable
2. JB2221-...-2... junction box
3. Heating cable
4. Connection cable (cold lead)
5. Bracket

Application Types

JB2221-223 – Loop to power connection

JB2221-333 – Star to power connection

JB2221-533 – Delta to power connection

* This junction box is compatible with series resistance heating cables SNF, SNF-L.

Power Supply of Series-Resistance Heating Cables

Technical Data

Dust and moisture protection rating	IP66	
Explosion protection marking	Ex eb IIC T6...T3 Gb Ex tb IIIC T85°C... T165°C Db	
Temperature group of the explosion hazard area	T6	
Operating ambient temperature range	-60...+55 °C	
Operating voltage	JB2221-223	max 550 V
	JB2221-333, JB2221-533	max 750 V
Operating current	JB2221-223	max 50 A
	JB2221-333, JB2221-533	max 66 A
Enclosure dimensions	JB2221-223	122×120×91.5 mm
	JB2221-333	160×160×94.5 mm
	JB2221-533	260×160×90 mm
Total weight (maximum)	JB2221-223	1.35 kg
	JB2221-333	2.26 kg
	JB2221-533	2.30 kg
Material Box / Color	Glass fiber reinforced	
Material Pipe installation support / Color	polyester / Black	

Approvals

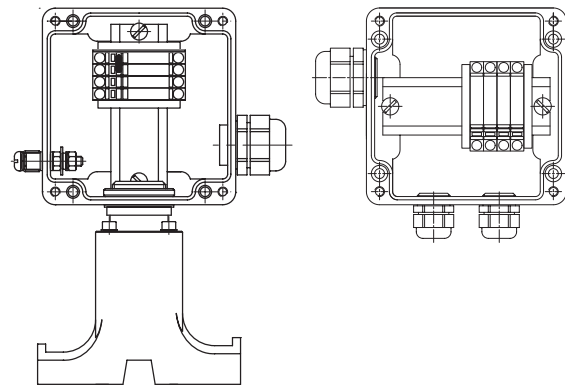


Nº IECEx CCVE 18.0006X



° Certification is underway

Construction



Quantity of terminals and placement of DIN-rail with terminal block could differ from drawings.

Accessories (to be ordered separately)

Brackets PB, KP, PL.JB0606 – for mounting the box onto the pipeline.

Z-profile – for mounting the box onto a metal structure or onto a wall.

Metal pipe strap PFS/3 – for mounting the pipe support stand or bracket onto the pipeline.

Flexible sealed gland FSG – for mechanical protection of cables in open space sets.

Cable entry unit LEK/U – for penetrating of thermal insulation.

Delivery Set

Model	Cable glands and plugs (P=plastic; B=brass)								Earthing tag	Terminated earthing wire	Pipe installation support	Terminal block	Type of terminals	Order code
	Side A		Side B		Side C		Side D							
	Cable gland	Screw plug	Cable gland	Screw plug	Cable gland	Screw plug	Cable gland	Screw plug						
JB2221-223-1X18°								1xM25 P	V	V	V	2L,1N,2PE/ 1L,1N,2PE	screw/ push-in	3210002400
JB2221-223-1X19							1xM25 B	V	V	V	3210002401			
JB2221-223-1X20							1xM25 P	V	V	V	3210002402			
JB2221-333-1X20								1xM32 P	V	V	V	2L,1N,2PE/ 3L,2N,3PE	screw/ push-in	3210002403
JB2221-333-1X21							1xM32 B	V	V	V	3210002404			
JB2221-333-1X22							1xM32 P	V	V	V	3210002405			
JB2221-223-2X380			2xM20 P		1xM25 P							1L,1N,2PE		3210001616
JB2221-333-2X380			3xM20 P		1xM25 P							3L,3N,2PE		3210001620
JB2221-533-2X130			6xM20 P		1xM25 P							7L, 6PE		3210001624

Order codes are valid for junction boxes with push-in terminal block.

Additional junction box configurations are available upon request.

° X = 1 for screw type terminal block; X=2 for push-in type terminal block