

Explosion-Proof Polyester Enclosure

Glass-reinforced polyester enclosures are used at chemical and petrochemical factories, on offshore platforms, oil processing plants and at other branches with potential availability of hazardous atmosphere (gas and combustible dust).

Application Areas

- Control stations
- Automatic circuit breakers
- Control devices
- Electrical enclosures
- Switches and changeover switches
- Distribution boxes
- Alarm devices
- Instrument enclosures
- Battery containers

Enclosures consist of a case and a lid fixed with captive locking resistant screws. Enclosures are made of polyester reinforced with fiberglass, providing maximum protection from highly corrosive agents.

Graphite black color gives the maximum protection from UV radiation. Chemical composition of enclosure material eliminates any risks from sources of ignition by the means of statically induced sparking resistance. Enclosure sealing system has the shape of labyrinth, where silicone sealing is protected from environmental factors impact. Due to this quality, enclosures have a high ingress protection performance – IP66.

A wide range of models is intended for installation of electrical components and automation equipment, could be mounted indoor or outdoor in explosion hazardous zones.

Inside enclosures the following electrical components could be installed: mounting panel, DIN-rails with terminals, earthing busbar and others. On the sides of boxes there could be installed explosion-proof cable glands for different cable types, couplings, plugs, valves, earthing tags, etc.

In SST Group these enclosure types are used for the production of explosion-proof equipment with “Equipment protection by increased safety” – “e” level; “Equipment dust ignition protection” – “t” level.

Construction



Enclosures

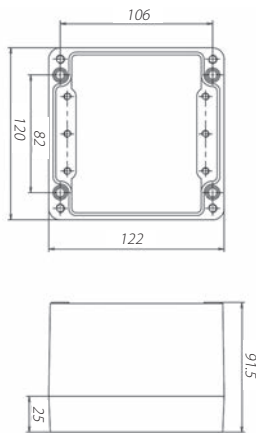
Technical Data

Climatic version and location category according to GOST 15150-69	F1, NF1 (NF4, NF5, T1, T2, T3, T5, F5, MU1, MU2, MU3, MU4, W5 – upon requirement)
Ingress protection	IP66
Operating ambient temperature range	-60...+165 °C
Explosion proof marking	Ex eb IIC Gb, Ex tb IIIC Db
Impact resistance	IK08 /7J

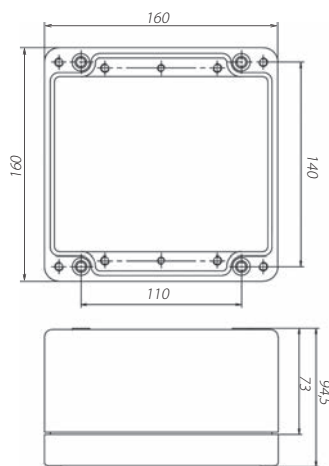
Types

Enclosure type	Length, mm	Width, mm	Height, mm	Order code
EE2221-011-0	80	75	55	3210001900
EE2221-111-0	110	75	55	3210001901
EE2221-223-0	122	120	90	3210001902
EE2221-333-0	160	160	90	3210001903
EE2221-423-0	220	120	90	3210001904
EE2221-533-0	260	160	90	3210001905
EE2221-544-0	255	250	120	3210001906
EE2221-633-0	360	160	90	3210001907
EE2221-655-0	360	360	160	3210001908
EE2221-764-0	400	405	121	3210001909

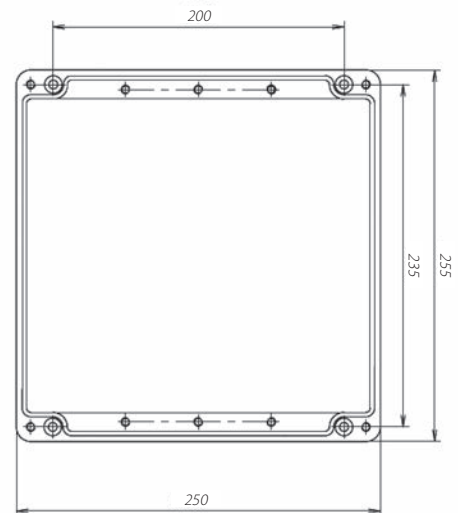
Construction



Enclosure EE2221-223-0



Enclosure EE2221-333-0



Enclosure EE2221-544-0



Approvals



IECEx CCVE 19.0013U



* Certification is underway